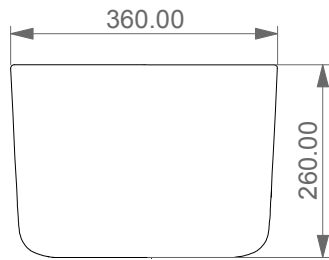


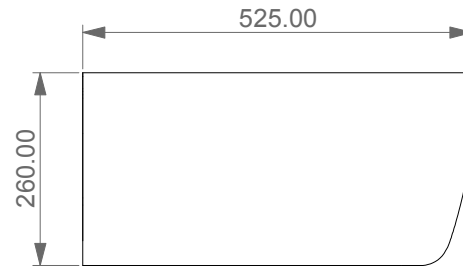
GSGI

CERAMIC DESIGN

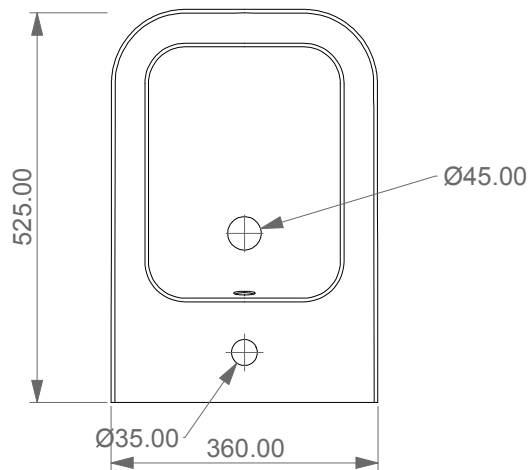
Bidet sospeso Brio monoforo
(senza foro su richiesta).
Brio bidet wall-hungmone hole
(no hole on request).



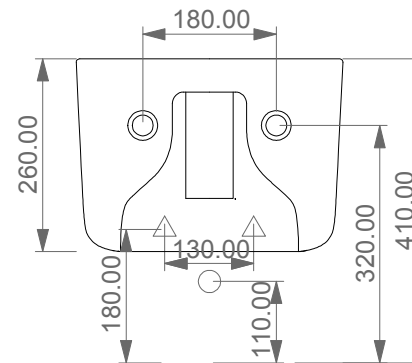
FRONT



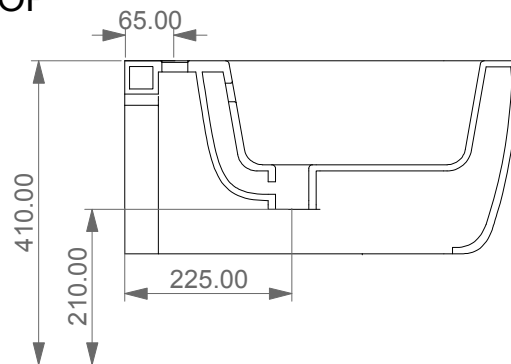
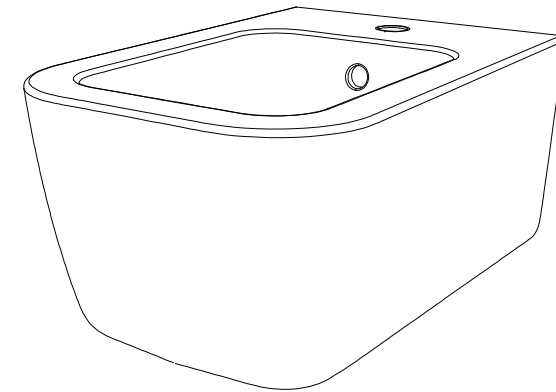
LEFT



TOP



REAR



SECTION

Designation Bidet sospeso Brio monoforo (senza foro su richiesta). Brio bidet wall-hungmone hole (no hole on request).	
Scale 1:10	This drawing including the respected data may neither be duplicated nor modified nor altered without the consent of GSG Ceramic Design. The use of the data/technical drawings take place at users own risk and under exclusion of any liability of GSG Ceramic Design. The dimensions are not binding; products are subject to changes. Measurement shown may be subjected to small variations or are indicative.
cod. BRBISO	