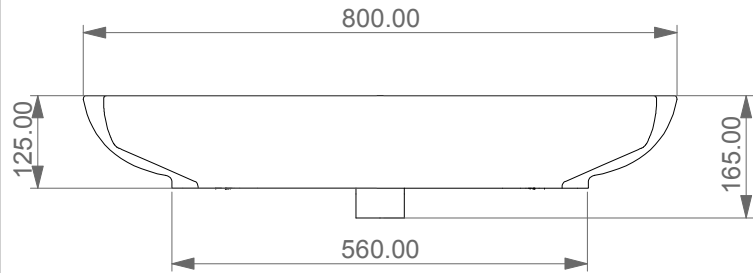


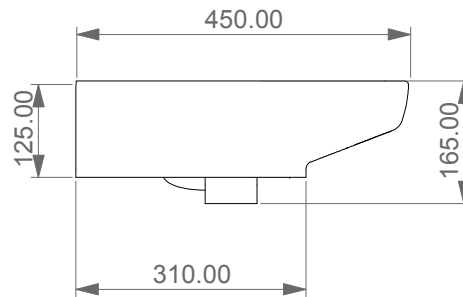
GSG

CERAMIC DESIGN

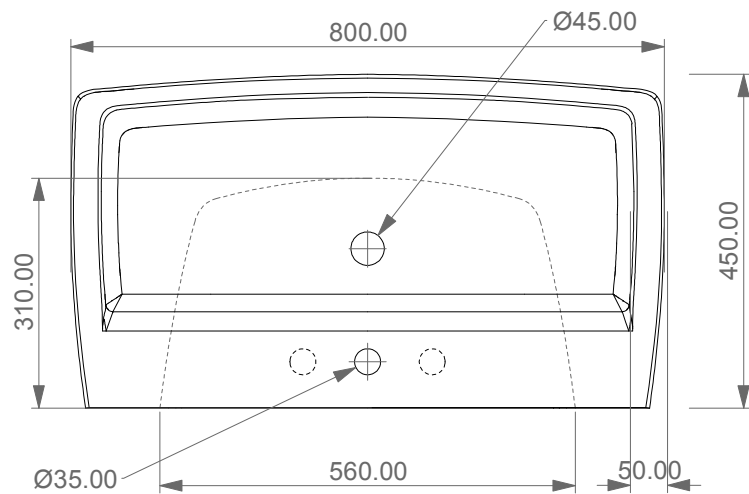
Lavabo Brio cm 80 monoforo
(senza foro, tre fori su richiesta)
Brio Washbasin cm 80 one hole
(no hole, three holes on request)



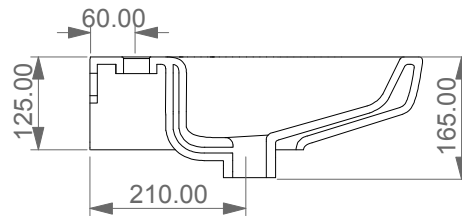
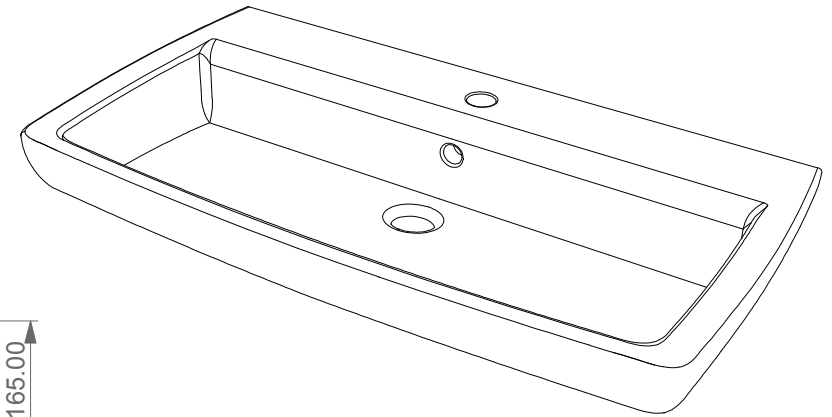
FRONT



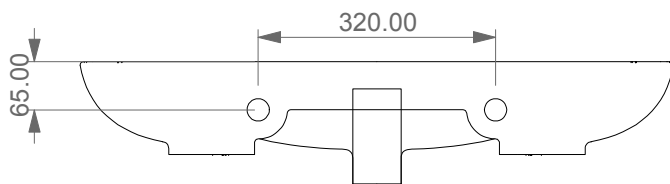
LEFT



TOP



SECTION



REAR

Designation
Lavabo Brio cm 80 monoforo
(senza foro, tre fori su richiesta)
Brio Washbasin cm 80 one hole
(no hole, three holes on request)

Scale
1:10

cod. BRLAV80

GSG

CERAMIC DESIGN

This drawing including the respected data may neither be duplicated nor modified nor altered without the consent of GSG Ceramic Design. The use of the data/technical drawings take place at users own risk and under exclusion of any liability of GSG Ceramic Design. The dimensions are not binding; products are subject to changes. Measurement shown may be subjected to small variations or are indicative.