

# Brio

Predisposizione consigliata attacco acqua per  
funzione vaso/bidet  
*Inlet water connection suggest for wc/bidet work*



## DESCRIZIONE

Vaso a terra senza brida con sistema di scarico Smart Clean, scarico a parete, convertibile a pavimento con curva tecnica (vedi cod. ACS100).



bianco lucido  
*white shiny*

**COD**

**BRWC01 000**

**CM**

**36x52,5**

**KG**

**29**

*Wc back to wall rimless with Smart Clean flushing system wall drain suitable for floor drain with technical elbow (see code ACS100).*

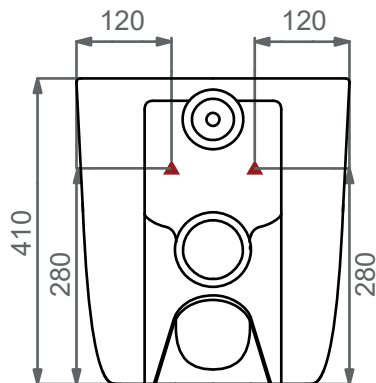


colorato  
*coloured*

**BRWC01 XXX**

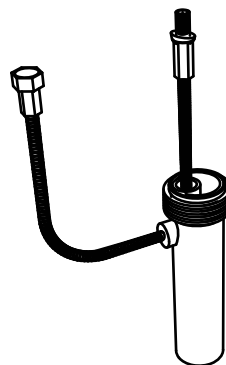
**36x52,5**

**29**



Predisposizione consigliata attacco acqua, Dx o Sx, in caso di utilizzo del dispositivo erogazione acqua per funzione vaso/bidet (Cod. ACS 114)

*Inlet water connection suggest, left or right, in case of use of water supply device for wc/bidet working (Cod. ACS 114)*



Dispo  
*Wc/bi*  
Cod. /

Produttore: GSG ceramic design

Designer: Massimiliano Abati

Codice: BRWC01

Scala: 1:10

**Smart clean**  
Sistema di scarico Smart Clean  
Intelligent flushing system



**GSG**  
CERAMIC DESIGN

**Web site**



This drawing including the respected data may neither be duplicated nor modified nor altered without the consent of GSG Ceramic Design. The use of the data/technical drawings take place at users own risk and under exclusion of any liability of GSG Ceramic Design. The dimensions are not binding; products are subject to changes. Measurement shown may be subjected to small variations or are indicative.

