

Cruise

Predisposizione consigliata attacco acqua per
funzione vaso/bidet
Inlet water connection suggest for wc/bidet working

GSG
CERAMIC DESIGN

DESCRIZIONE

Vaso a terra senza brida con sistema di scarico Smart Clean, scarico a parete, convertibile a pavimento con curva tecnica (vedi cod. ACS100).

Wc back to wall rimless with Smart Clean flushing system wall drain suitable for floor drain with technical elbow (see code ACS100).



bianco lucido
white shiny

CRWC01 000

39x53

31

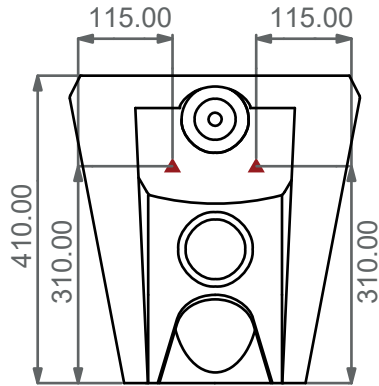


colorato
coloured

CRWC01 XXX

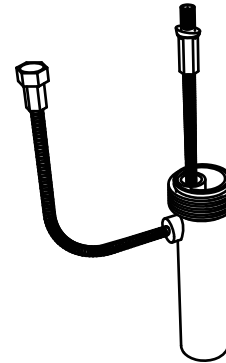
39x53

31



Predisposizione consigliata attacco acqua, Dx o Sx, in caso di utilizzo del dispositivo erogazione acqua per funzione vaso/bidet (Cod. ACS 114)

Inlet water connection suggest, left or right, in case of use of water supply device for wc/bidet working (Cod. ACS 114)



Dispositivo vaso/bidet

Wc/bidet device

Cod. ACS114

Produttore: GSG ceramic design

Designer: Massimo Iosa Ghini

Codice: CRWC01

Scala: 1:10

Smart clean
Sistema di scarico Smart Clean
Intelligent flushing system



GSG
CERAMIC DESIGN

Web site



This drawing including the respected data may neither be duplicated nor modified nor altered without the consent of GSG Ceramic Design. The use of the data/technical drawings take place at users own risk and under exclusion of any liability of GSG Ceramic Design. The dimensions are not binding; products are subject to changes. Measurement shown may be subjected to small variations or are indicative.

