

Touch

Predisposizione consigliata attacco acqua per
funzione vaso/bidet
Inlet water connection suggest for wc/bidet working

GSG
CERAMIC DESIGN

DESCRIZIONE

Vaso monoblocco, senza brida con sistema di scarico Smart Clean, scarico a parete, convertibile a pavimento con curva tecnica (vedi cod. ACS100).

Cassetta a colonna per vaso monoblocco (TOCIMBL)

Wc monoblock, Wc back to wall rimless with Smart Clean flushing system, wall drain suitable for floor drain with technical elbow (see code ACS100).

Column cistern suiting for wc monoblock (TOCIMBL)



bianco lucido
white shiny

TOWC01SC 000
TOCIMBL 000

38,5x55
40x16xh99

25,6
25,2

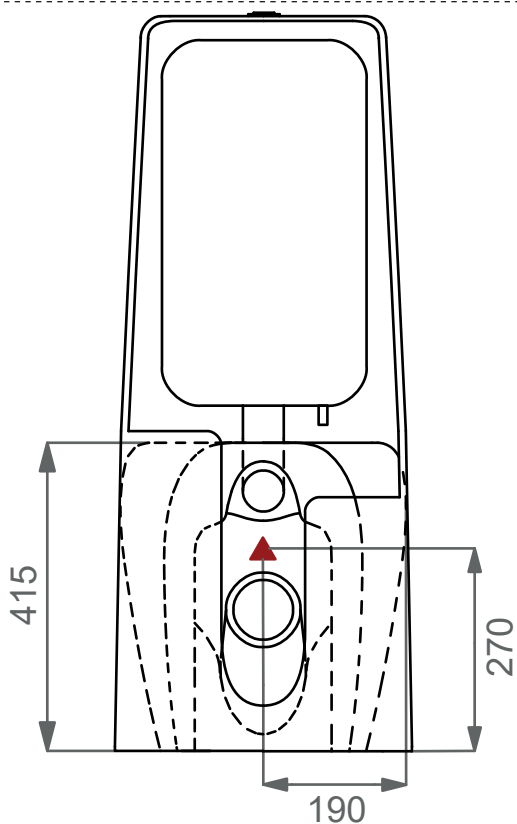


colorato
coloured

TOWC01SC XXX
TOCIMBL XXX

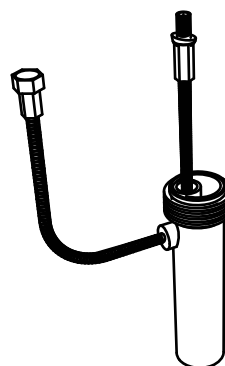
38,5x55
40x16xh99

25,6
25,2



Predisposizione consigliata attacco acqua, Dx o Sx, in caso di utilizzo del dispositivo erogazione acqua per funzione vaso/bidet (Cod. ACS 114)

Inlet water connection suggest, left or right, in case of use of water supply device for wc/bidet working (Cod. ACS 114)



Dispositivo vaso/bidet
Wc/bidet device
Cod. ACS114

Produttore: GSG ceramic design

Designer: Massimiliano Abati

Codice: TOWC01SC - TOCIMBL

Scala: 1:10

Smart clean
Sistema di scarico Smart Clean
Intelligent flushing system



GSG
CERAMIC DESIGN

Web site



This drawing including the respected data may neither be duplicated nor modified nor altered without the consent of GSG Ceramic Design. The use of the data/technical drawings take place at users own risk and under exclusion of any liability of GSG Ceramic Design. The dimensions are not binding; products are subject to changes. Measurement shown may be subjected to small variations or are indicative.

