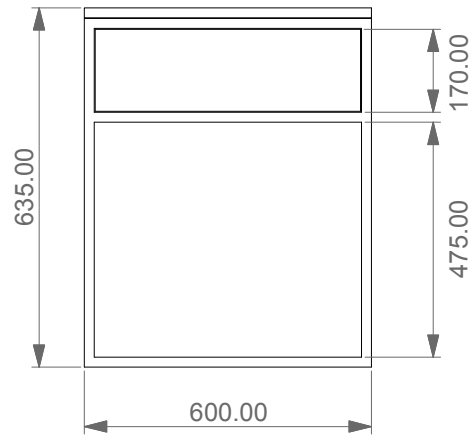
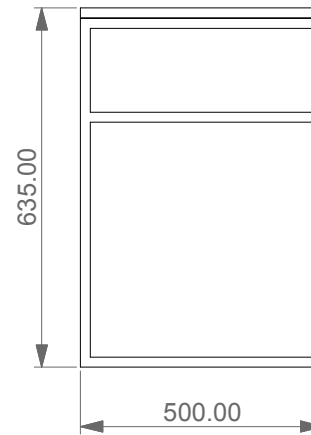


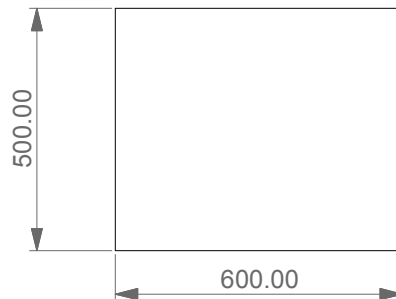
Mobile sospeso System  
cm. 60x50xh63,5



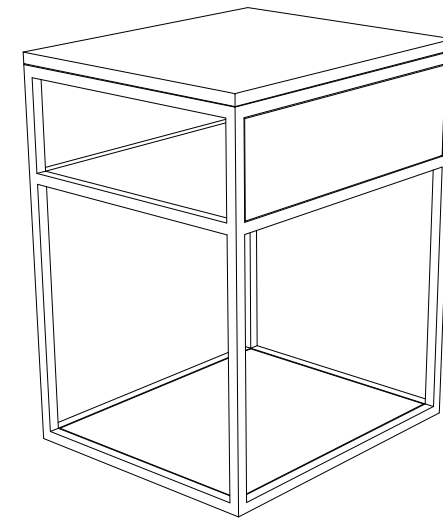
FRONT




LEFT



TOP



Designation	
Mobile sospeso System cm. 60x50xh63,5	
Scale 1:10	
cod. MOSY60LE	<p>This drawing including the respected data may neither be duplicated nor modified nor altered without the consent of GSG Ceramic Design. The use of the data/technical drawings take place at users own risk and under exclusion of any liability of GSG Ceramic Design. The dimensions are not binding; products are subject to changes. Measurement shown may be subjected to small variations or are indicative.</p>