

Hit!

Predisposizione consigliata attacco acqua per
funzione vaso/bidet
Inlet water connection suggest for wc/bidet working

GSG

CERAMIC DESIGN

DESCRIZIONE

Vaso a terra senza brida con sistema di scarico Eco Clean, scarico a parete, convertibile a pavimento con curva tecnica (vedi cod. ACS100).

Wc back to wall rimless with Eco Clean flushing system wall drain suitable for floor drain with technical elbow (see code ACS100).



bianco lucido
white shiny

COD

HIWC01EC 000

CM

36x51,5

KG

28

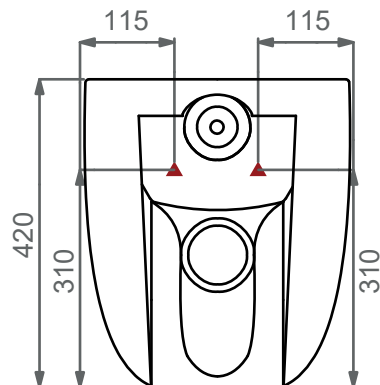


colorato
coloured

HIWC01EC XXX

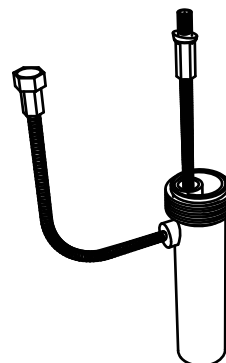
36x51,5

28



Predisposizione consigliata attacco acqua, Dx o Sx, in caso di utilizzo del dispositivo erogazione acqua per funzione vaso/bidet (Cod. ACS 114)

Inlet water connection suggest, left or right, in case of use of water supply device for wc/bidet working (Cod. ACS 114)



Dispositivo vaso/bidet
Wc/bidet device
Cod. ACS114

Produttore: GSG ceramic design

Designer: Massimiliano Abati

Codice: HIWC01EC

Scala: 1:10

Eco Clean
Sistema di scarico Eco Clean
Eco Clean flushing system



GSG
CERAMIC DESIGN

Web site



This drawing including the respected data may neither be duplicated nor modified nor altered without the consent of GSG Ceramic Design. The use of the data/technical drawings take place at users own risk and under exclusion of any liability of GSG Ceramic Design. The dimensions are not binding; products are subject to changes. Measurement shown may be subjected to small variations or are indicative.

