

## DESCRIZIONE

Vaso a terra con sistema di scarico a parete, convertibile a pavimento con curva tecnica (vedi cod. ACS100).

*Wc back to wall, with wall drain suitable for floor drain with technical elbow (see code ACS100).*



bianco lucido  
*white shiny*

**COD**

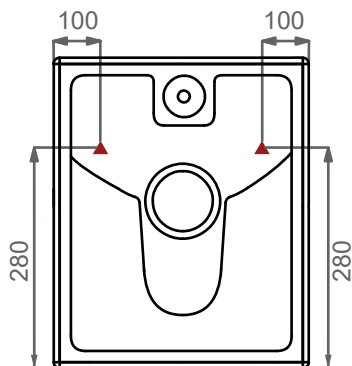
**OZWC01 000**

**CM**

**34x53**

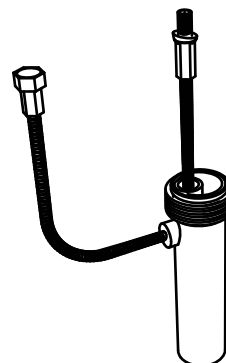
**KG**

**29,5**



Predisposizione consigliata attacco acqua, Dx o Sx, in caso di utilizzo del dispositivo erogazione acqua per funzione vaso/bidet (Cod. ACS 114)

*Inlet water connection suggest, left or right, in case of use of water supply device for wc/bidet working (Cod. ACS 114)*



Dispositivo vaso/bidet  
*Wc/bidet device*  
Cod. ACS114

Produttore: GSG ceramic design

Designer: Massimiliano Abati

Codice: OZWC01

Scala: 1:10

**GSG**  
CERAMIC DESIGN

**Web site**



This drawing including the respected data may neither be duplicated nor modified nor altered without the consent of GSG Ceramic Design. The use of the data/technical drawings take place at users own risk and under exclusion of any liability of GSG Ceramic Design. The dimensions are not binding; products are subject to changes. Measurement shown may be subjected to small variations or are indicative.

