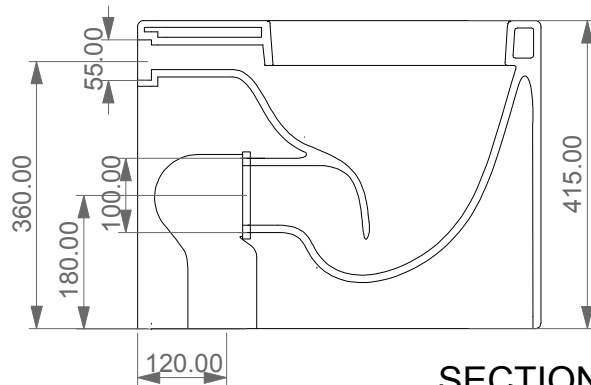


Con connessione eccentrica per scarico a suolo. ACS 102
With outlying drainage connector for floor trap. ACS 102

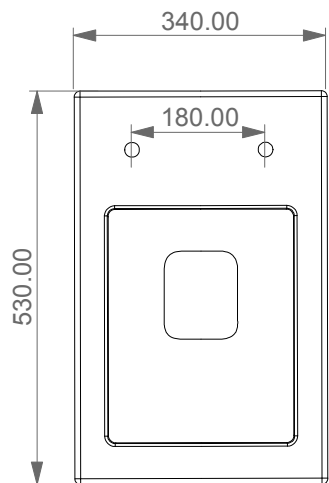


Con connessione per scarico a suolo. ACS 100
With drainage connector for floor trap. ACS 100

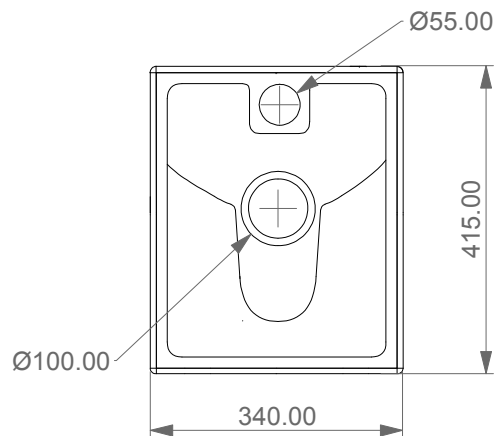
SECTION

GSG
CERAMIC DESIGN

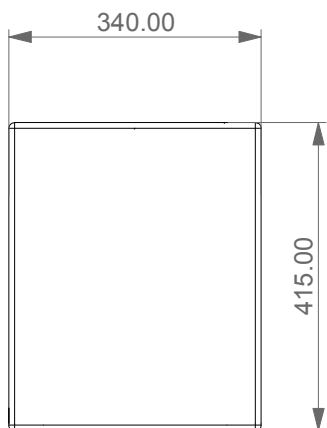
Vaso a terra Oz scarico a parete
convertibile a pavimento con curva tecnica
Oz wc back to wall
wall drain suitable for floor drain
with technical elbow



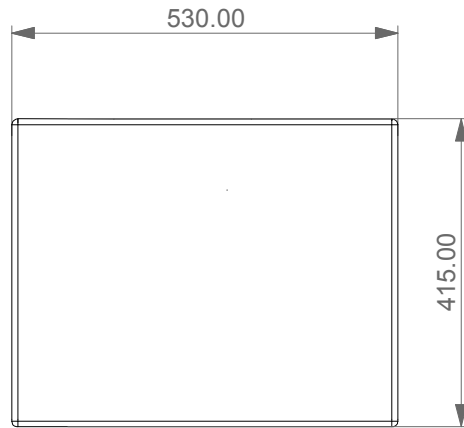
TOP



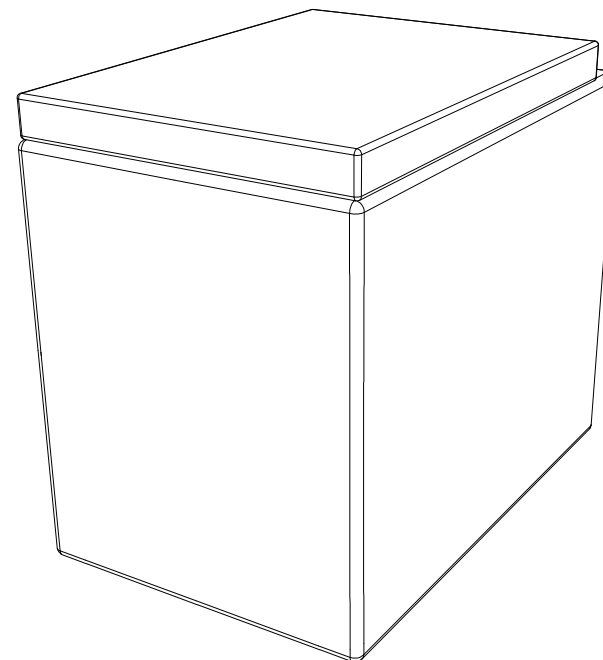
REAR



FRONT



LEFT



Designation
Vaso a terra Oz scarico a parete
convertibile a pavimento con curva tecnica
Oz wc back to wall, wall drain suitable
for floor drain with technical elbow

Scale
1:10

cod.OZWC01

GSG
CERAMIC DESIGN

This drawing including the respected data may neither be duplicated nor modified nor altered without the consent of GSG Ceramic Design. The use of the data/technical drawings take place at users own risk and under exclusion of any liability of GSG Ceramic Design. The dimensions are not binding; products are subject to changes. Measurement shown may be subjected to small variations or are indicative.