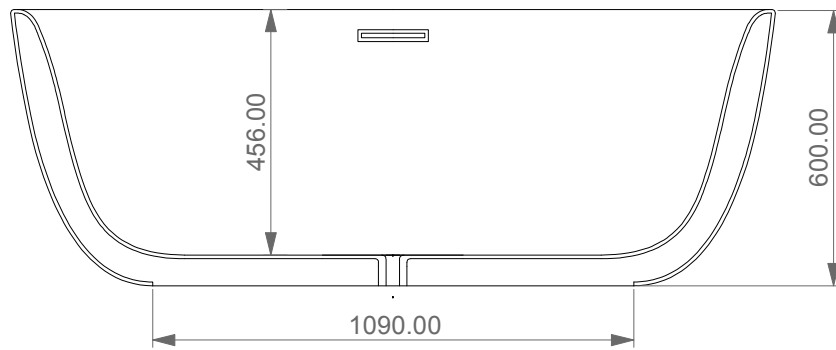
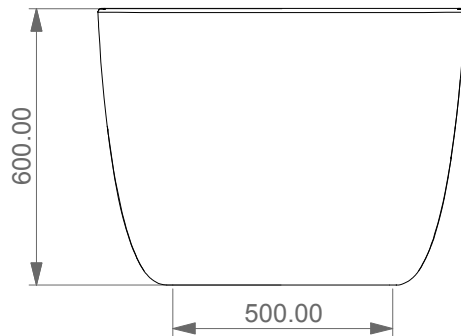


TOP



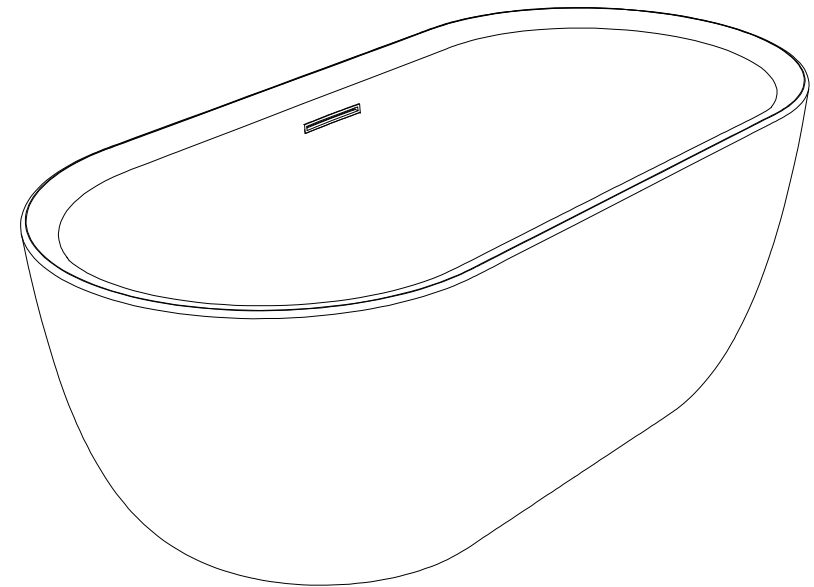
LEFT - SECTION



FRONT

GSG
CERAMIC DESIGN

Vasca Hit a parete o centro stanza
in acrilico con troppopieno
Hit buthtub free standing or back to wall
in acrylic with overflow



<p>Designation Vasca Hit a parete o centro stanza in acrilico con troppopieno Hit buthtub free standing or back to wall in acrylic with overflow</p>	<p>GSG CERAMIC DESIGN</p>
<p>Scale 1:10</p>	<p>This drawing including the respectedata may neither be duplicated nor modified nor altered without the consent of GSG Ceramic Design. The use of the data/technical drawings take place at users own risk and under exclusion of any liability of GSG Ceramic Design.</p>
<p>cod. VAHI</p>	<p>The dimensions are not binding; products are subject to changes. Measurement shown may be subjected to small variations or are indicative.</p>